

Xport™

AUTOMATIC IMAGE TRANSMISSION SYSTEM HEIMANN X-RAY INSPECTION SYSTEMS

Introduction

Xport provides the facility to transmit the current X-ray image automatically or individually to an external personal computer via network.

Formats

The following data formats of the X-ray images are available:

- HIF (Heimann Image Format)
- JPEG
- TIF

Application

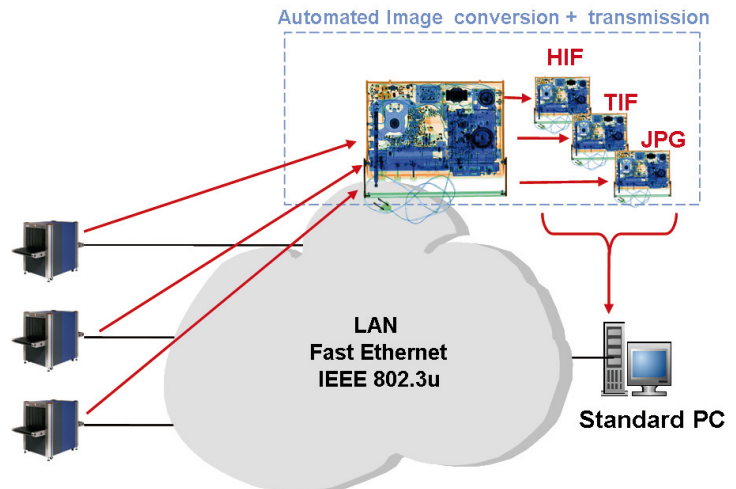
If the automatic transmission of all images is activated, every current X-ray image is immediately sent to the target computer. **Xport** converts the images before the transmission, depending on which format you have selected. Optionally, one or several formats can be transferred. If the automatic

transmission is deactivated, individual images can be transmitted by touch of a button.

To establish the connection between the X-ray inspection unit and the target computer, simply the IP address of the target computer has to be entered, as well as the target computer configuration. Additional soft-

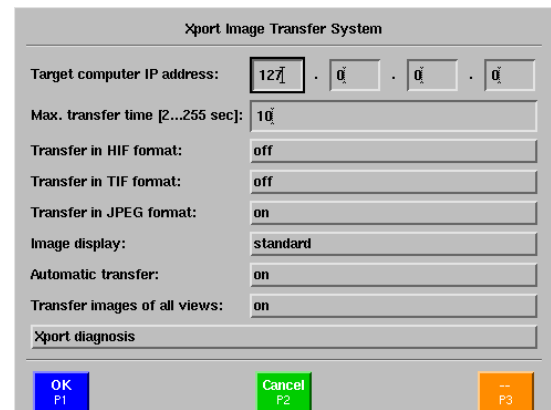
ware is not required.

Please observe: **Xport** can reduce the throughput of the X-ray unit since it is not possible to scan further bags during the conversion and transmission of images to the target computer.



Feature Highlights

- **Xport allows automatic and individual transmission of all generated X-ray images in the formats HIF, JPEG and/or TIF to an external personal computer via network**
- **Xport does not require additional software on the target computer**



Possible settings in **Xport**

For product information, sales or service, please go to www.smithsdetection.com/locations

Smiths Heimann GmbH, Im Herzen 4, 65205 Wiesbaden, Germany
Modifications reserved. 95590368 20/01/2011 © Smiths Detection Group Ltd. - In some cases, the figures contain options
Xport is a trademark of Smiths Detection Group Ltd.